

**UNITED NATIONS EDUCATIONAL  
SCIENTIFIC AND CULTURAL ORGANIZATION**

**CONVENTION CONCERNING THE PROTECTION OF THE  
WORLD CULTURAL AND NATURAL HERITAGE**

**WORLD HERITAGE COMMITTEE**

**Twenty-second session  
Kyoto, Japan  
30 November - 5 December 1998**

**Information Document: State of International Assistance requests as at 15 November 1998 : requests approved and implemented.**

**SUMMARY**

This document shows the state of implementation of the requests approved, by region and country, for each category of international assistance (Chapter III and Emergency Assistance) :

1. Preparatory Assistance
2. Technical Co-operation
3. Training
4. Assistance for promotional activities
5. Emergency Assistance

The rate of implementation is reflected in the graphics attached.

**World Heritage Centre**

**Status of Implementation of the  
Approved International Assistance Requests  
for 1998**

**as of 13 November 1998**

World Heritage Centre

Status of the Approved International Assistance Requests for 1998

as of 13 November 1998

| Type of International Assistance               | Total Approved Budget for 1998 | Approved Requests as of 13 November 1998 | Balance Available |            |
|--|--------------------------------|--|-------------------|------------|
|  | in \$                          | in \$                                    | in \$             | in %       |
| Preparatory assistance                         | 300 000                        | 338 098                                  | -38 098           | -12,7      |
| Technical cooperation                          | 1 032 500                      | 1 050 629                                | -18 129           | -1,8       |
| Training                                       | 982 500                        | 843 190                                  | 139 310           | 14,2       |
| Support to Promotional Activities in the Sites | 125 000                        | 86 000                                   | 39 000            | 31,2       |
| <i>Sub-total Chapter III</i>                   | 2 440 000                      | 2 317 917                                | 122 083           | 5,0        |
| Emergency Reserve Fund                         | 500 000                        | 583 250                                  | -83 250           | -16,7      |
| <b>Grand Total</b>                             | <b>2 940 000</b>               | <b>2 901 167</b>                         | <b>38 833</b>     | <b>1,3</b> |

### Chapter III - Preparatory Assistance

| Rec. No.           | State party requesting | Title of project   | T y p e | Appvd by    | Appvd date | Amount requested in \$ | Amount approved* in \$ | Amount implemented as of 13/1/98 in \$ | Balance available for implementation in \$ |
|--------------------|------------------------|--|---------|-------------|------------|------------------------|------------------------|--|--|
| <b>AFRICA</b>      |                        |  |         |             |            |                        |                        |  |  |
| 1                  | Benin                  | Village souterrain d'Agongointo-Zougoudo                     | C       | Bureau      | 29/1/98    | 15 000                 | 36 900                 | 0                                      | 36 900                                     |
| 19                 | Ethiopia               | Konso Cultural Landscape                                     | C       | Chairperson | 3/3/98     | 15 000                 | 15 000                 | 15 000                                 | 0  |
| 64                 | Malawi                 | Nomination of Chongoni Rock Art                              | C       | Chairperson | 20/4/98    | 15 000                 | 15 000                 | 15 000                                 | 0  |
| 111                | Benin                  | "W" National Park of Niger                                   | N       | Chairperson | 27/6/98    | 15 000                 | 15 000                 | 0                                      | 15 000                                     |
| 141                | Tanzania               | Preparation of nomination file for Zanzibar Stone Town       | C       | Chairperson | 17/8/98    | 15 000                 | 15 000                 | 15 000                                 | 0  |
|                    |                        |  |         |             |            | <b>75 000</b>          | <b>96 900</b>          | <b>45 000</b>                          | <b>51 900</b>                              |
| <b>ARAB STATES</b> |                        |  |         |             |            |                        |                        |  |  |
| 65                 | Egypt                  | Historic Cairo conservation strategy meeting                 | C       | Chairperson | 28/4/98    | 14 900                 | 14 900                 | 12 300                                 | 2 600                                      |
| 66                 | Syria                  | Management plan of Palmyra - Phase 1                         | C       | Chairperson | 28/4/98    | 15 000                 | 15 000                 | 15 000                                 | 0  |
| 67                 | Syria                  | Nomination of Crusaders Castles; file preparation and train  | C       | Chairperson | 28/4/98    | 15 000                 | 15 000                 | 12 207                                 | 2 793                                      |
| 143                | Egypt                  | Refining Tentative List and Preparation of nomination of Alk | C       | Chairperson | 15/9/98    | 15 000                 | 15 000                 | 15 000                                 | 0  |
| 149                | Oman                   | Preparation of nomination of "Shisr-Al Baleed-Ain Humran-    | C       | Chairperson | 5/8/98     | 15 000                 | 15 000                 | 0                                      | 15 000                                     |
|                    |                        |  |         |             |            | <b>74 900</b>          | <b>74 900</b>          | <b>54 507</b>                          | <b>20 393</b>                              |

## Preparatory Assistance

| Rec. No.                                | State party requesting    | Title of project   | Type | Appvd by    | Appvd date | Amount requested in \$ | Amount approved* in \$ | Amount implemented as of 13/11/98 in \$ | Balance available for implementation in \$ |
|---|---------------------------|--|------|-------------|------------|------------------------|------------------------|---|--|
|   | <b>ASIA &amp; PACIFIC</b> |  |      |             |            |                        |                        |   |  |
| 69                                      | Pakistan                  | Update tentative list and nomination of the Indus Valley   | C    | Chairperson | 29/4/98    | 11 000                 | 11 000                 | 0                                       | 11 000                                     |
| 70                                      | Malaysia                  | Seminar on the implementation of the World Heritage Convention in Malaysia   | N/C  | Chairperson | 22/4/98    | 12 675                 | 12 675                 | 12 675                                  | 0  |
| 71                                      | Philippines               | Reformulation of the nomination dossier of the area of St Paul Subterranean National Park in accordance with the 1993 Bureau recommendations | N    | Chairperson | 28/4/98    | 15 000                 | 15 000                 | 0                                       | 15 000                                     |
| 72                                      | Vietnam                   | Preparation of nomination file for Historic centre of Hoi An   | C    | Chairperson | 12/2/98    | 15 000                 | 14 892                 | 14 892                                  | 0  |
| 107                                     | Bangladesh                | Revision and reformulation of two cultural nominations Mahasthangarh and Lalmai-Mainamati group of monuments                                 | C    | Chairperson | 21/7/98    | 14 999                 | 14 999                 | 14 999                                  | 0  |
| 199                                     | Papua New Guinea          | Workshop for Identification and Nomination of New Guinea Properties for WH Listing   | N    | Chairperson | 25/6/98    | 15 000                 | 0                      | 0                                       | 0  |
| <b>Sub-total Asia &amp; the Pacific</b> |                           |  |      |             |            | <b>83 674</b>          | <b>68 566</b>          | <b>42 566</b>                           | <b>26 000</b>                              |

## Preparatory Assistance

| Rec. No. | State party requesting            | Title of project   | Type | Appvd by    | Appvd date | Amount requested in \$ | Amount approved* in \$ | Amount implemented as of 13/1/98 in \$ | Balance available for implementation in \$ |
|----------|-----------------------------------|--|------|-------------|------------|------------------------|------------------------|--|--|
|          | <b>EUROPE &amp; NORTH AMERICA</b> |  |      |             |            |                        |                        |  |  |
| 97       | Armenia                           | The Monastery of Geghard and the Upper Azat Valley                       | C    | Chairperson | 10/1/97    | 6 465                  | 6 465                  | 6 465                                  | 0  |
| 73       | Azerbaijan                        | The Walled City of Baku with the Shirvanshah Palace and the Maiden Tower | C    | Chairperson | 28/4/98    | 15 000                 | 15 000                 | 15 000                                 | 0  |
| 118      | Lithuania                         | International Seminar on the nomination of Kursiu Nerija                 | N/C  | Chairperson | 28/4/98    | 15 000                 | 15 000                 | 15 000                                 | 0  |
| 21       | Slovakia                          | City of Bardejov   | C    | Chairperson | 3/3/98     | 10 000                 | 10 000                 | 10 000                                 | 0  |
| 75       | UK                                | World Archaeological Congress in Croatia                                 | C    | Chairperson | 28/4/98    | 20 000                 | 20 000                 | 20 000                                 | 0  |
|          |                                   | <b>Sub-total Europe &amp; North America</b>                              |      |             |            | <b>66 465</b>          | <b>66 465</b>          | <b>66 465</b>                          | <b>0</b>                                   |

## Preparatory Assistance

| Rec. ID | State party requesting               | Title of project   | Type | Appvd by    | Appvd date | Amount requested in \$ | Amount approved* in \$ | Amount implemented as of 13/1/98 in \$ | Balance available for implementation in \$ |
|---------|--------------------------------------|--|------|-------------|------------|------------------------|------------------------|--|--|
|         | <b>LATIN AMERICA &amp; CARIBBEAN</b> |  |      |             |            |                        |                        |  |  |
| 76      | Ecuador                              | Nomination of Cuenca   | C    | Chairperson | 22/4/98    | 15 000                 | 15 000                 | 15 000                                 | 0  |
| 22      | Guyana                               | Kareteur Falls, Guyana                                       | N    | Chairperson | 4/2/98     | 1 267                  | 1 267                  | 1 267                                  | 0  |
| 77      | Uruguay                              | National programme for archaeology                           | C    | Chairperson | 27/4/98    | 15 000                 | 15 000                 | 15 000                                 | 0  |
| 130     | Argentina                            | Preparataion of nomination for Triassic Paleontological Park | N    |             |            | 15 000                 |                        |  |  |
|         |                                      | <b>Sub-total Latin America &amp; the Caribbean</b>           |      |             |            | <b>46 267</b>          | <b>31 267</b>          | <b>31 267</b>                          | <b>0</b>                                   |
|         |                                      | <b>Grand Total Preparatory Assistance</b>                    |      |             |            | <b>346 306</b>         | <b>338 098</b>         | <b>239 805</b>                         | <b>98 293</b>                              |

## Chapter III - Technical Cooperation

| Rec. No.                     | State party requesting | Title of project   | Type | Appvd by    | Appvd date | Amount requested in \$ | Amount approved* in \$ | Amount implemented as of 13/11/98 in \$ | Balance available for implementation in \$ |
|------------------------------|------------------------|--|------|-------------|------------|------------------------|------------------------|---|--|
| <b>AFRICA</b>                |                        |  |      |             |            |                        |                        |   |  |
| 7                            | Benin                  | Royal Palaces of Abomey  | C    | Chairperson | 16/11/97   | 20 000                 | 20 000                 | 0                                       | 20 000                                     |
| 127                          | Congo                  | Study to evaluate destruction caused by war on Khahuzi   | E    | N           |            | 20 000                 |                        |   |  |
| 105                          | Guinea                 | Purchase of hydrological equipment for Mount Nimba   | N    | Chairperson | 3/10/97    | 19 840                 | 19 840                 | 19 840                                  | 0  |
| 88                           | Mozambique             | Within the framework of PACSICOM meeting organize a workshop on natural heritage of coastal and marine | N    | Chairperson | 9/6/98     | 20 000                 | 20 000                 | 0                                       | 20 000                                     |
| 28                           | Niger                  | Purchase of equipment for "W" National park  | N    | Committee   | 6/12/97    | 75 000                 | 50 000                 | 50 914                                  | -914                                       |
| 36                           | Zimbabwe               | ICCROM: Preparation of a conservation plan for Khami Rt  | C    | Committee   | 6/12/97    | 76 900                 | 36 900                 | 36 900                                  | 0  |
| 117                          | Tanzania               | Kilimanjaro Stakeholders Meeting   | N    | Bureau      | 27/6/98    | 30 000                 | 30 000                 | 0                                       | 30 000                                     |
| <b>Sub-total Africa</b>      |                        |  |      |             |            | <b>261 740</b>         | <b>176 740</b>         | <b>107 654</b>                          | <b>69 086</b>                              |
| <b>ARAB STATES</b>           |                        |  |      |             |            |                        |                        |   |  |
| 138                          | Egypt                  | Preparation of cooperation programme for Historic Cairo  | C    | Chairperson | 24/9/98    | 19 000                 | 19 000                 | 19 000                                  | 0  |
| 205                          | Jordan                 | Visitor's Centre at Quseir Amra  | C    | Chairperson | 13/11/98   | 20 000                 | 20 000                 | 0                                       | 20 000                                     |
| 150                          | Lebanon                | Conservation project for Temple of Bacchus, Baalbek  | C    | Chairperson | 17/7/98    | 7 500                  | 7 500                  | 0                                       | 7 500                                      |
| 128                          | Morocco                | Establishment of Management Plan for Volubilis   | C    | Chairperson | 13/10/98   | 7 500                  | 7 500                  | 7 500                                   | 0  |
| 151                          | Syria                  | Restoration of the Roman Baths in ancient city of Bosra  | C    | Chairperson | 26/6/98    | 30 000                 | 30 000                 | 30 000                                  | 0  |
| 152                          | Syria                  | Conservation project for Tekiya Suleymaniah in Damascus  | C    | Chairperson | 27/6/98    | 18 000                 | 18 000                 | 0                                       | 18 000                                     |
| 55                           | Yemen                  | Construction of furnace for brick-making, Zabid  | C    | Chairperson | 10/4/98    | 19 000                 | 19 000                 | 19 000                                  | 0  |
| 56                           | Yemen                  | Creation of a handcraft Centre in Shibam   | C    | Chairperson | 10/4/98    | 20 000                 | 20 000                 | 20 000                                  | 0  |
| 57                           | Yemen                  | Preservation of Al-Maidan steambath in Sana'a  | C    | Chairperson | 10/4/98    | 19 000                 | 19 000                 | 19 000                                  | 0  |
| <b>Sub-total Arab States</b> |                        |  |      |             |            | <b>160 000</b>         | <b>160 000</b>         | <b>114 500</b>                          | <b>45 500</b>                              |



## Chapter III - Technical Cooperation

| Rec. State No. party requesting | Title of project   | T y p e | Appvd by    | Appvd date | Amount requested in \$ | Amount approved* in \$ | Amount implemented as of 13/11/98 in \$ | Balance available for implementation in \$ |
|---------------------------------|--|---------|-------------|------------|------------------------|------------------------|---|--|
| <b>ASIA &amp; THE PACIFIC</b>   |  |         |             |            |                        |                        |   |  |
| 108                             | Cambodia Hydrological and topographical studies of Moats of Angkor   | C       | Bureau      | 26/6/98    | 75 000                 | 28 595                 | 28 595                                  | 0  |
| 68                              | Indonesia Training course on Rock Art  | C       | Chairperson | 20/4/98    | 20 000                 | 20 000                 | 20 000                                  | 0  |
| 27                              | India Strengthening protection of the Kaziranga National Park  | N       | Committee   | 6/12/97    | 50 000                 | 50 000                 | 50 000                                  | 0  |
| 85                              | India Enhanced Management of the Elephanta Caves   | C       | Chairperson | 16/6/98    | 66 250                 | 20 000                 | 20 000                                  | 0  |
| 98                              | Indonesia Workshop on preservation and management of Sangiran  | C       | Chairperson | 18/6/98    | 20 000                 | 20 000                 | 20 000                                  | 0  |
| 46                              | Nepal Studies on traditional architecture, construction and conservation technique, documenting, Bhaktapur | C       | Bureau      | 29/11/97   | 28 000                 | 28 000                 | 26 149                                  | 1 851                                      |
| 168                             | Nepal Improving visitor amenities at Sagarmatha National Park, I   | N       | Chairperson | 6/10/98    | 15 000                 | 15 000                 | 15 000                                  | 0  |
| 4                               | Nepal Structural survey of the 55 Windows Palace in Kathmandu  | C       | Chairperson | 9/1/98     | 19 800                 | 19 800                 | 20 384                                  | -584                                       |
| 14                              | Nepal State of conservation of the Kathmandu Valley  | C       | Chairperson | 22/1/98    | 35 000                 | 35 000                 | 19 604                                  | 15 396                                     |
| 124                             | Nepal Sub-regional Meeting on conserving Hymalayan Heritage  | N       | Chairperson | 15/7/98    | 20 000                 | 20 000                 | 20 000                                  | 0  |
| 215                             | Pakistan Vegetation control of the WH site of Taxila (Dharmajika)  | C       | Chairperson | 17/11/98   | 28 000                 | 28 000                 | 28 000                                  | 0  |
| 109                             | Sri Lanka Restoration of Kandy monument following terrorist bombing  | C       | Bureau      | 26/6/98    | 1 670 000              | 25 000                 | 20 000                                  | 5 000                                      |
| 120                             | Thailand Review of Management policy of Thung Yai and Huay Kha   | N       | Chairperson | 27/6/98    | 20 000                 | 20 000                 | 20 000                                  | 0  |
| 35                              | Vietnam Revision of urban planning regulations of Hue Complex  | C       | Committee   | 6/12/97    | 35 000                 | 35 000                 | 20 500                                  | 14 500                                     |
| 156                             | Vietnam Geomorphology study of the Ha Long Bay Area  | C       | Chairperson | 10/8/98    | 8 857                  | 8 857                  | 8 857                                   | 0  |
|                                 |  |         |             |            | <b>2 110 907</b>       | <b>373 252</b>         | <b>337 089</b>                          | <b>36 163</b>                              |

## Chapter III - Technical Cooperation

| Rec. State No. party requesting   | Title of project  | Type | Appvd by    | Appvd date | Amount requested in \$                      | Amount approved* in \$ | Amount implemented as of 13/11/98 in \$ | Balance available for implementation in \$ |
|-----------------------------------|---|------|-------------|------------|---|------------------------|---|--|
| <b>EUROPE &amp; NORTH AMERICA</b> |   |      |             |            |   |                        |   |  |
| 126                               | Bulgaria Renovation of museum in Srebarna Natural Reserve   | N    | Bureau      | 26/6/98    | 15 000                                      | 15 000                 | 0                                       | 15 000                                     |
| 160                               | Bulgaria Dehumidifying equipment for Boyana church  | C    | Bureau      | 25/6/98    | 25 000                                      | 25 000                 | 25 000                                  | 0  |
| 20                                | Cyprus Technical assistance - Paphos, Cyprus  | C    | Chairperson | 3/3/98     | 12 187                                      | 12 187                 | 12 187                                  | 0  |
| 89                                | France International Conference on "Living Landscapes in Europe" (Project Cancelled)                              | N    | Chairperson | 18/3/98    | 15 000                                      | 15 000                 | 15 000                                  | 0  |
| 58                                | Latvia Old Town of Riga   | C    | Chairperson | 25/3/98    | 20 000                                      | 20 000                 | 20 000                                  | 0  |
| 59                                | Lituania Old Town of Vilnius  | C    | Chairperson | 28/4/98    | 19 550                                      | 19 550                 | 17 500                                  | 2 050                                      |
| 41                                | Poland Organize a seminar on the planning and protection of the surroundings of the World Heritage site Auschwitz | C    | Chairperson | 14/5/98    | 20 000                                      | 20 000                 | 20 000                                  | 0  |
| 60                                | Portugal Technical cooperation for the Town of Evora  | C    | Chairperson | 30/4/98    | 15 000                                      | 15 000                 | 15 000                                  | 0  |
| 131                               | Spain Rehabilitation project for the Albayzin   | C    | Chairperson | 5/8/98     | 15 000                                      | 15 000                 | 15 000                                  | 0  |
|                                   |   |      |             |            | <b>156 737</b>                              | <b>156 737</b>         | <b>139 687</b>                          | <b>17 050</b>                              |
|                                   |   |      |             |            | <b>Sub-total Europe &amp; North America</b> |                        |   |  |

## Chapter III - Technical Cooperation

| Rec. State No. party requesting                    | Title of project   | T y p e | Appvd by    | Appvd date | Amount requested in \$ | Amount approved* in \$ | Amount implemented as of 13/11/98 in \$ | Balance available for implementation in \$ |
|--|--|---------|-------------|------------|------------------------|------------------------|---|--|
| <b>LATIN AMERICA &amp; CARIBBEAN</b>               |  |         |             |            |                        |                        |   |  |
| 61   | Costa Rica Costa Rican Conservation Area Authority project   | N       | Chairperson | 8/4/98     | 19 900                 | 19 900                 | 19 900                                  | 0  |
| 62   | Colombia Santa Cruz de Mompox  | C       | Chairperson | 21/5/98    | 20 000                 | 20 000                 | 20 000                                  | 0  |
| 95   | Colombia Conservation of Archaeological Nat. Park of Tierradentro  | C       | Chairperson | 8/6/98     | 30 000                 | 30 000                 | 30 000                                  | 0  |
| 87   | Commonwe: Revision of the Management Plan for Morne Trois Pitons of Dominica National Park                 | N       | Chairperson | 9/6/98     | 13 900                 | 9 000                  | 9 000                                   | 0  |
| 114  | Dominica Regional Conference of Cultural and Natural Heritage  | N       | Bureau      | 26/6/98    | 30 000                 | 30 000                 | 30 000                                  | 0  |
| 165  | Ecuador Limit adverse effects of 1998 El Nino: Development of Ecosystem Monitoring Framework for Galapagos | N       | Chairperson | 18/3/98    | 20 000                 | 20 000                 | 20 000                                  | 0  |
| 34   | Mexico Special course on the World Heritage Convention for Latin America and the Caribbean                 | C       | Committee   | 6/12/98    | 30 000                 | 30 000                 | 30 000                                  | 0  |
|  |  |         |             |            | <b>163 800</b>         | <b>158 900</b>         | <b>158 900</b>                          | <b>0</b>                                   |
| <b>Sub-total Latin America &amp; the Caribbean</b> |  |         |             |            |                        |                        |   |  |
| 23   | <b>GLOBAL</b> ICCROM - Technical Assistance Programme (TAP)  | C       | Bureau      | 29/11/98   | 25 000                 | 25 000                 | 25 000                                  | 0  |
|  |  |         |             |            | <b>25 000</b>          | <b>25 000</b>          | <b>25 000</b>                           | <b>0</b>                                   |
| <b>Sub-total Global</b>                            |  |         |             |            |                        |                        |   |  |
|  |  |         |             |            | <b>2 878 184</b>       | <b>1 050 629</b>       | <b>882 830</b>                          | <b>167 799</b>                             |
| <b>Grand Total Technical Cooperation</b>           |  |         |             |            |                        |                        |   |  |

## Chapter III - Training

| Re-<br>cord<br>No.      | State party<br>requesting | Title of project   | T<br>y<br>p<br>e | Appvd<br>by | Appvd<br>date | Amount<br>requested<br>in \$ | Amount<br>approved*<br>in \$ | Amount<br>implemented<br>as of 13/11/98<br>in \$ | Balance<br>available for<br>implementation<br>in \$ |
|-------------------------|---------------------------|--|------------------|-------------|---------------|------------------------------|------------------------------|--|---|
| <b>AFRICA</b>           |                           |  |                  |             |               |                              |                              |  |   |
| 24                      | Cameroon                  | Sub-regional workshop on strengthening biodiversity conservation at the Dja Faunal Reserve   | N                | Bureau      | 29/11/97      | 29 900                       | 29 900                       | 29 900   | 0   |
| 203                     | Cameroon                  | 3 Fellowships at Training School of Wildlife Specialists, Cameroon for the Academic Year 1998/9  | N                | Bureau      | 6/12/96       | 22 500                       | 22 500                       | 18 000   | 4 500   |
| 177                     | Ethiopia                  | Seminar on International normative texts and guidelines for conservators   | C                | Chairperson | 6/10/98       | 20 000                       | 15 000                       | 15 000   | 0   |
| 33                      | Ghana                     | ICCROM: Ashanti Traditional buildings  | C                | Committee   | 6/12/98       | 47 000                       | 47 000                       | 47 000   | 0   |
| 129                     | Senegal                   | 2nd International Conference on Wetlands, Dakar  | N                | Chairperson | 17/8/98       | 20 000                       | 20 000                       | 20 000   | 0   |
| 210                     | South Africa              | World Archaeological Congress-Major Symposium on the World Heritage Convention:concept, development and education,                                   | C                |             |               | 20 000                       |                              |  |   |
| 8                       | Uganda                    | ICCROM: Training for the conservation and maintenance of Kasubi Tomb   | C                | Chairperson | 15/1/98       | 20 000                       | 20 000                       | 20 000   | 0   |
| 9                       | Regional                  | ICCROM - Rock Art Preservation in Southern Africa  | C                | Chairperson | 15/1/98       | 20 000                       | 20 000                       | 20 000   | 0   |
| 167                     | Regional                  | 3 fellowships for African specialists in protected site managers for Training at Meka College of African Wildlife Management (1998 - 1999), Tanzania | N                | Bureau      | 29/11/97      | 30 000                       | 30 000                       | 30 000   | 0   |
| <b>Sub-total Africa</b> |                           |  |                  |             |               | <b>229 400</b>               | <b>204 400</b>               | <b>199 900</b>                                   | <b>4 500</b>  |

## Chapter III - Training

| Record No.                   | State party requesting | Title of project  | Type | Appvd by    | Appvd date | Amount requested in \$ | Amount approved* in \$ | Amount implemented as of 13/11/98 in \$ | Balance available for implementation in \$ |
|------------------------------|------------------------|---|------|-------------|------------|------------------------|------------------------|---|--|
| <b>ARAB STATES</b>           |                        |   |      |             |            |                        |                        |   |  |
| 48                           | Egypt                  | Egypt's World Heritage Sites  | C    | Chairperson | 20/4/98    | 19 990                 | 19 990                 | 19 990                                  | 0  |
| 202                          | Egypt                  | Documentation of Archaeological sites using GIS & multimedia  | C    | Chairperson | 3/11/98    | 20 000                 | 20 000                 | 0                                       | 20 000                                     |
| 6                            | Lebanon                | Conservation of mural paintings   | C    | Chairperson | 28/1/98    | 20 000                 | 20 000                 | 20 000                                  | 0  |
| 11                           | Regional               | ICCROM: Regional training programme for conservation of historic & archaeological mosaics in the Mediterranean region | C    | Chairperson | 15/1/98    | 20 000                 | 20 000                 | 20 000                                  | 0  |
| 12                           | Regional               | ICCROM - Training seminar for the conservation of archaeological sites in the Near and Middle East region             | C    | Chairperson | 15/1/98    | 15 000                 | 15 000                 | 15 000                                  | 0  |
| 13                           | Regional               | ICCROM - Seminar for NAMEC-ITUC urban conservation, Morocco   | C    | Chairperson | 15/1/98    | 15 000                 | 15 000                 | 15 000                                  | 0  |
| <b>Sub-total Arab States</b> |                        |   |      |             |            | <b>109 990</b>         | <b>109 990</b>         | <b>89 990</b>                           | <b>20 000</b>                              |

### Chapter III - Training

| Re-<br>cord<br>No. | State party<br>requesting     | Title of project   | Appvd<br>by   | Appvd<br>date | Amount<br>requested<br>in \$ | Amount<br>approved*<br>in \$ | Amount<br>implemented<br>as of 13/11/98<br>in \$ | Balance<br>available for<br>implementation<br>in \$ |
|--------------------|-------------------------------|--|---------------|---------------|------------------------------|------------------------------|--|---|
|                    | <b>ASIA &amp;<br/>PACIFIC</b> |  |               |               |                              |                              |  |   |
| 15                 | China                         | Training workshop for urban planning for the International Conference of the Mayors of historic cities   | C Chairperson | 3/3/98        | 25 000                       | 25 000                       | 24 828   | 172   |
| 26                 | India                         | Meeting of Regional Training Centers and selected academic training institutions for curricula and training materials development, Wildlife Institute of India | N Committee   | 6/12/97       | 41 000                       | 30 000                       | 30 000   | 0   |
| 51                 | India                         | Site Management in Elephant Caves  | C Chairperson | 25/3/98       | 10 000                       | 10 000                       | 10 000   | 0   |
|                    | Indonesia                     | Global Policy Dialogue of W H and tropical Forest Biodiversity, Brastagi, Northern Sumatra, Dec 98<br><i>(approved by the Bureau in June 1997)</i>             | N Chairperson | 03/11/98      | 30 000                       | 30 000                       | 30 000   | 0   |
| 52                 | Iran                          | Persepolis Stone Conservation  | C Chairperson | 5/3/98        | 15 000                       | 15 000                       | 15 000   | 0   |
| 123                | Japan                         | Multi-coastal agreements for biodiversity conservation   | N Chairperson | 17/6/98       | 20 000                       | 20 000                       | 20 000   | 0   |
| 42                 | Laos                          | Training programme for the Historic Town of Luang Prabang  | C Bureau      | 29/11/97      | 25 000                       | 25 000                       | 1 828  | 23 172  |
| 25                 | Philippines                   | Training of a core-group of personnel on human and scientific dimensions of managing Tubataha Reef   | N Bureau      | 29/11/97      | 30 000                       | 30 000                       | 30 000   | 0   |
| 45                 | Philippines                   | Training to enhance the management of the Baroque Churches   | C Bureau      | 29/11/97      | 22 000                       | 22 000                       | 22 000   | 0   |
| 53                 | Regional                      | Training needs analysis of site managers in South East Asia and West Pacific, Australia and New Zealand on local community participation in site management    | N Chairperson | 25/3/98       | 20 000                       | 20 000                       | 20 000   | 0   |
|                    |                               |  |               |               | <b>238 000</b>               | <b>227 000</b>               | <b>203 656</b>                                   | <b>23 344</b>                                       |

### Chapter III - Training

| Record No. | State party requesting            | Title of project  | Type | Appvd by    | Appvd date | Amount requested in \$ | Amount approved* in \$ | Amount implemented as of 13/11/98 in \$ | Balance available for implementation in \$ |
|------------|-----------------------------------|---|------|-------------|------------|------------------------|------------------------|---|--|
|            | <b>EUROPE &amp; NORTH AMERICA</b> |   |      |             |            |                        |                        |   |  |
| 39         | Armenia                           | International training activity on "Anti-Seismic Undertaking in Preservation Works of Monuments and Sites"    | C    | Chairperson | 8/4/98     | 20 000                 | 20 000                 | 20 000                                  | 0  |
| 31         | Austria                           | Training course for the examination and conservation of architectural surfaces                                | C    | Committee   | 6/12/97    | 35 000                 | 35 000                 | 35 000                                  | 0  |
| 206        | Bulgaria                          | Workshop "Towards a practical framework for Geosites and World Heritage selection in Europe", Sofia, 7-8/6/98 | N    | Chairperson | 19/5/98    | 12 000                 | 12 000                 | 0                                       | 12 000                                     |
| 102        | Croatia                           | Meeting of World Heritage Educational Co-ordinators   | C    | Chairperson | 17/6/98    | 15 000                 | 15 000                 | 15 000                                  | 0  |
| 179        | Lithuania                         | Enhancing of functional capability of public organizations "Academy of Cultural Heritage"                     | C    | Chairperson | 3/11/98    | 20 000                 | 20 000                 | 0                                       | 20 000                                     |
| 17         | USA                               | Course for Latin America Wildlands Protected Area Management, July - August 1998                              | N    | Chairperson | 3/3/98     | 16 200                 | 16 200                 | 16 200                                  | 0  |
| 10         | Regional                          | ICCROM - ITUC North-eastern Europe Training course  | C    | Chairperson | 15/1/98    | 20 000                 | 20 000                 | 20 000                                  | 0  |
|            |                                   | <b>Sub-total Europe and North America</b>   |      |             |            | <b>138 200</b>         | <b>138 200</b>         | <b>106 200</b>                          | <b>32 000</b>                              |

### Chapter III - Training

| Record No. | State party requesting               | Title of project   | Type | Appvd by    | Appvd date | Amount requested in \$ | Amount approved* in \$ | Amount implemented as of 13/11/98 in \$ | Balance available for implementation in \$ |
|------------|--------------------------------------|--|------|-------------|------------|------------------------|------------------------|---|--|
|            | <b>LATIN AMERICA &amp; CARIBBEAN</b> |  |      |             |            |                        |                        |   |  |
| 32         | Brazil                               | Inter-regional postgraduate course in the conservation of monuments and the rehabilitation of historic cities (CECRE)    | C    | Committee   | 6/12/97    | 50 000                 | 50 000                 | 46 700                                  | 3 300                                      |
| 16         | Costa Rica                           | Scholarship to Latin American World Heritage and Protected Area Managers to participate in the 'Catie' Management course | N    | Chairperson | 3/3/98     | 20 000                 | 20 000                 | 20 000                                  | 0  |
| 54         | Guyana                               | International conference on shelter and revitalization of the Management old historic urban centre                       | C    | Chairperson | 19/3/98    | 1 700                  | 1 700                  | 1 700                                   | 0  |
| 5          | Regional                             | ICCROM - Development of a training strategy and procedural framework in Latin America                                    | C    | Committee   | 6/12/97    | 50 000                 | 40 000                 | 40 000                                  | 0  |
| 190        | Suriname                             | Seminar on natural heritage and the WH Convention in the Caribbean to be held in Surinam in 1999                         | M    | Chairperson | 20/10/98   | 19 500                 | 19 500                 | 0                                       | 19 500                                     |
|            |                                      | <b>Sub-total Latin America &amp; the Caribbean</b>   |      |             |            | <b>141 200</b>         | <b>131 200</b>         | <b>108 400</b>                          | <b>22 800</b>                              |
|            | <b>GLOBAL</b>                        |  |      |             |            |                        |                        |   |  |
| 104        | Regional                             | Contract with IUCN for Training activities   | N    | Committee   | 6/12/97    | 32 400                 | 32 400                 | 32 400                                  | 0  |
|            |                                      | <b>Sub-total Global</b>  |      |             |            | <b>32 400</b>          | <b>32 400</b>          | <b>32 400</b>                           | <b>0</b>                                   |
|            |                                      | <b>Grand Total Training</b>  |      |             |            | <b>889 190</b>         | <b>843 190</b>         | <b>740 546</b>                          | <b>102 644</b>                             |



### Chapter III - Promotional activities

| Rec. No. | State party requesting    | Title of project   | T y p e | Appvd by    | Appvd date | Amount requested in \$ | Amount approved* in \$ | Amount implemented as of 13/11/98 in \$ | Balance available for implementation in \$ |
|----------|---------------------------|--|---------|-------------|------------|------------------------|------------------------|---|--|
|          |                           |  |         |             |            |                        |                        |   |  |
| 93       | <b>AFRICA</b><br>Mali     | Meeting on "Cultural Heritage and Creativity"<br>Bamako 12-18 May 1998                                 | C       | DIR/WHC     | 11/5/98    | 5 000                  | 5 000                  | 5 000                                   | 0  |
| 214      | Ethiopia                  | UNESCO/CRCCH joint workshop on sharing experiences in World Heritage sites, Addis Ababa, 1-2 July 1998 | C       | DIR/WHC     |            | 5 000                  | 5 000                  | 5 000                                   | 0  |
|          | <b>ARAB STATES</b>        | <b>Sub-total Africa</b>  |         |             |            | <b>10 000</b>          | <b>10 000</b>          | <b>10 000</b>                           | <b>0</b>                                   |
| 90       | Algeria                   | Tassili n'Ajjer - Publication of promotional activities  | C       | DIR/WHC     | 2/2/98     | 5 000                  | 5 000                  | 5 000                                   | 0  |
| 155      | Egypt                     | Exhibition of Islamic Cairo  | C       | DIR/WHC     | 21/7/98    | 5 000                  | 5 000                  | 5 000                                   | 0  |
| 204      | Yemen                     | National Workshop on the W H Convention  | C       | Chairperson | 3/11/98    | 10 000                 | 10 000                 | 8 056                                   | 1 944                                      |
|          | <b>ASIA &amp; PACIFIC</b> | <b>Sub-total Arab States</b>   |         |             |            | <b>20 000</b>          | <b>20 000</b>          | <b>18 056</b>                           | <b>1 944</b>                               |
| 225      | China                     | Publication of an album "The WH of China"  | M       | DIR/WHC     | 21/08/98   | 7000                   | 7000                   | 7000                                    | 0  |
| 224      | China                     | Exhibition at Mt Huangshan   | M       | DIR/WHC     | 21/08/98   | 5000                   | 5000                   | 5000                                    | 0  |
| 86       | India                     | On-site promotion for Elephanta Caves  | C       | DIR/WHC     | 8/6/98     | 5 000                  | 5 000                  | 5 000                                   | 0  |
| 99       | Indonesia                 | On -site promotion of the Sangiran Early Man Site  | C       | DIR/WHC     | 11/6/98    | 5 000                  | 5 000                  | 0                                       | 5 000                                      |
| 226      | Indonesia                 | On-site promotion of Borobodur & Prambanan   | C       | DIR/WHC     | 04/11/98   | 5000                   | 5000                   | 5000                                    | 0  |
| 91       | New Zealand               | Photographic exhibition of New Zealand World Heritage sites  | C       | DIR/WHC     | 15/4/98    | 4 000                  | 4 000                  | 4 000                                   | 0  |
| 112      | Philippines               | On site promotion of Baroque Churches  | C       | DIR/WHC     | 11/06/98   | 5 000                  | 5 000                  | 5 000                                   | 0  |
| 110      | Sri Lanka                 | On site promotion of Sacred City of Kandy  | C       | DIR/WHC     | 20/02/98   | 5 000                  | 5 000                  | 0                                       | 5 000                                      |
|          |                           | <b>Sub-total Asia &amp; the Pacific</b>  |         |             |            | <b>41 000</b>          | <b>41 000</b>          | <b>31 000</b>                           | <b>10 000</b>                              |

Amounts under \$ 5,000 foreseen in the 1998 workplans under the approval of the Director of WHC

Chapter III - Promotional activities

| Rec. No.   | State party requesting | Title of project  | T y p e | Appvd by | Appvd date | Amount requested | Amount approved* | Amount implemented | Balance available for |
|--|------------------------|---|---------|----------|------------|------------------|------------------|--------------------|-----------------------|
|  |                        |   |         |          |            | in \$            | in \$            | as of 13/11/98     | implementation        |
|  |                        |   |         |          |            | in \$            | in \$            | in \$              | in \$                 |
| <b>EUROPE &amp; NORTH AMERICA</b>                  |                        |   |         |          |            |                  |                  |                    |                       |
| 94   | Portugal               | Portugese National Commission - for a seminar on the application of article 29 of the Convention for natural and cultural heritage foreseen in the workplan | C       | DIR/WHC  | 3/3/98     | 5 000            | 5 000            | 5 000              | 0                     |
| <b>Sub-total Europe &amp; North America</b>        |                        |   |         |          |            | <b>5 000</b>     | <b>5 000</b>     | <b>5 000</b>       | <b>0</b>              |
| <b>LATIN AMERICA &amp; CARIBBEAN</b>               |                        |   |         |          |            |                  |                  |                    |                       |
| 92   | Mexico                 | Contract with INAH for the procurement and installation of a computer in the City of Guanajuato; foreseen in the workplan                                   | C       | DIR/WHC  | 20/4/98    | 5 000            | 5 000            | 5 000              | 0                     |
| 218  | Brazil                 | Production of an exhibit on Brazilian World Heritage sites  | C       | DIR/WHC  | 30/11/98   | 5 000            | 5 000            | 5 000              | 0                     |
| <b>Sub-total Latin America &amp; the Caribbean</b> |                        |   |         |          |            | <b>10 000</b>    | <b>10 000</b>    | <b>10 000</b>      | <b>0</b>              |
| <b>Grand Total Promotional Activities</b>          |                        |   |         |          |            | <b>86 000</b>    | <b>86 000</b>    | <b>74 056</b>      | <b>11 944</b>         |

Amounts under \$ 5,000 foreseen in the 1998 workplans under the approval of the Director of WHC

## Emergency Assistance

| Rec. No. | State party requesting       | Title of project                                     | Type | Appvd by    | Appvd date | Amount requested in \$ | Amount approved* in \$ | Amount implemented as of 13/11/98 in \$ | Balance available for implementation in \$ |
|----------|------------------------------|--|------|-------------|------------|------------------------|------------------------|---|--|
|          | <b>AFRICA</b>                |  |      |             |            |                        |                        |   |  |
| 29       | Democratic Republic of Congo | Purchase of two vehicles for World Heritage sites    | N    | Committee   | 6/12/97    | 88 400                 | 45 000                 | 45 000                                  | 0  |
|          |                              | <b>Sub-total Africa</b>                              |      |             |            | <b>88 400</b>          | <b>45 000</b>          | <b>45 000</b>                           | <b>0</b>                                   |
|          | <b>ARAB STATES</b>           |  |      |             |            |                        |                        |   |  |
| 78       | Morocco                      | Preservation of the City wall of Medina d' Essaouira | C    | Chairperson | 14/4/98    | 50 000                 | 50 000                 | 50 000                                  | 0  |
| 79       | Mauritania                   | Conservation of the Minaret of the Oasis of Ouadan   | C    | Chairperson | 20/4/98    | 50 000                 | 50 000                 | 3 402                                   | 46 598                                     |
|          |                              | <b>Sub-total Arab States</b>                         |      |             |            | <b>100 000</b>         | <b>100 000</b>         | <b>53 402</b>                           | <b>46 598</b>                              |

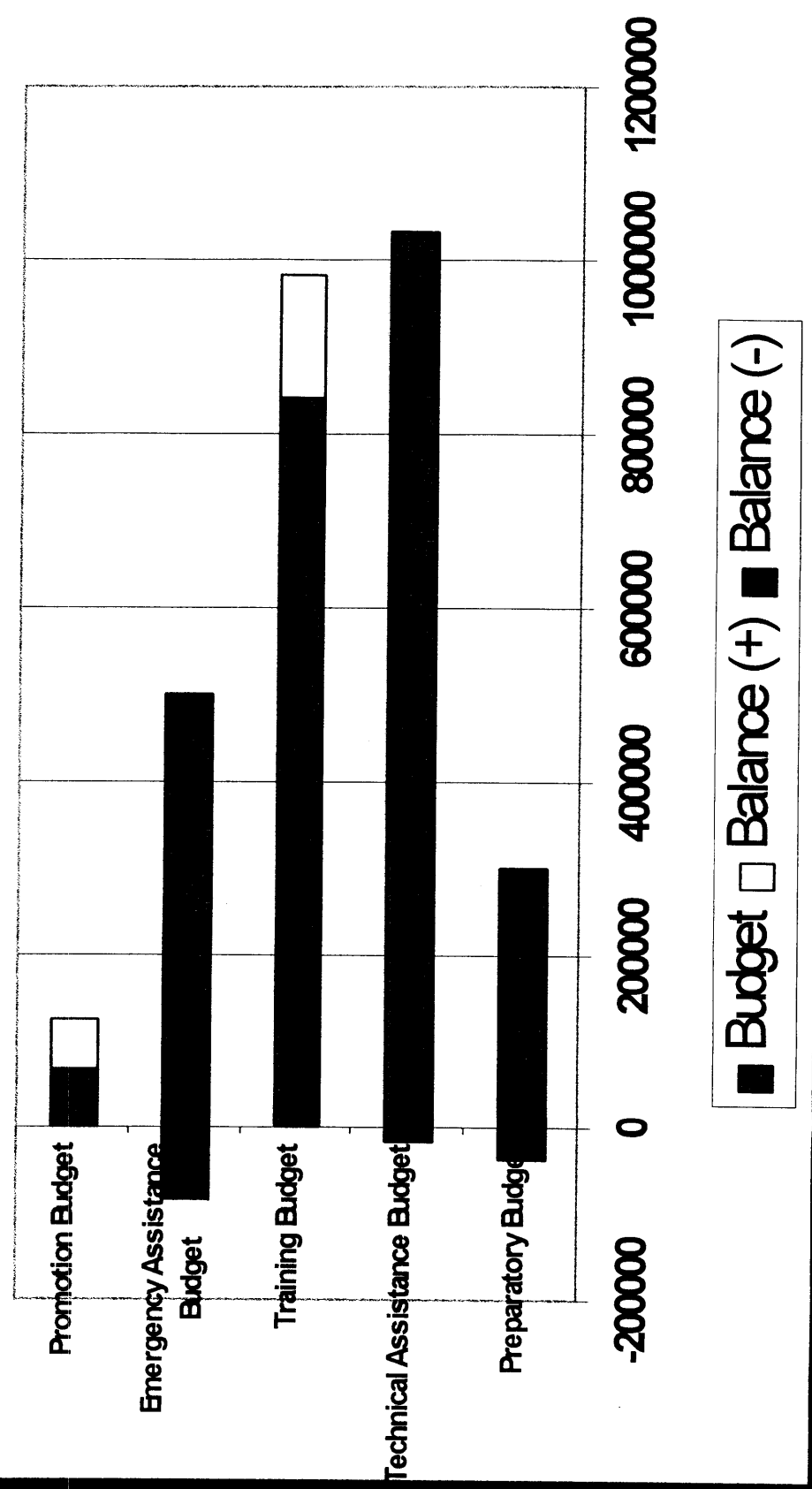
## Emergency Assistance

| Rec. No. | State party requesting            | Title of project   | Type | Appvd by  | Appvd date | Amount requested in \$ | Amount approved* in \$ | Amount implemented as of 13/11/98 in \$ | Balance available for implementation in \$ |
|----------|-----------------------------------|--|------|-----------|------------|------------------------|------------------------|---|--|
|          | <b>ASIA &amp; PACIFIC</b>         |  |      |           |            |                        |                        |   |  |
| 30       | India                             | Contribution towards the implementation of an emergency rehabilitation plan for Manas Wildlife Sanctuary | N    | Committee | 6/12/97    | 160 000                | 90 000                 | 0                                       | 90 000                                     |
| 80       | Vietnam                           | Historic monuments of Queen Mother's Palace  | C    | Chairman  | 29/1/98    | 103 720                | 50 000                 | 50 000                                  | 0  |
|          |                                   | <b>Sub-total Asia &amp; the Pacific</b>  |      |           |            | <b>263 720</b>         | <b>140 000</b>         | <b>50 000</b>                           | <b>90 000</b>                              |
|          | <b>EUROPE &amp; NORTH AMERICA</b> |  |      |           |            |                        |                        |   |  |
| 47       | Albania                           | Butrinti, site in danger: Water drainage, sheltering alarm system  | C    | Committee | 6/12/97    | 47 000                 | 100 000                | 33 247                                  | 66 753                                     |
|          |                                   | <b>Sub-total Europe &amp; North America</b>  |      |           |            | <b>47 000</b>          | <b>100 000</b>         | <b>33 247</b>                           | <b>66 753</b>                              |

## Emergency Assistance

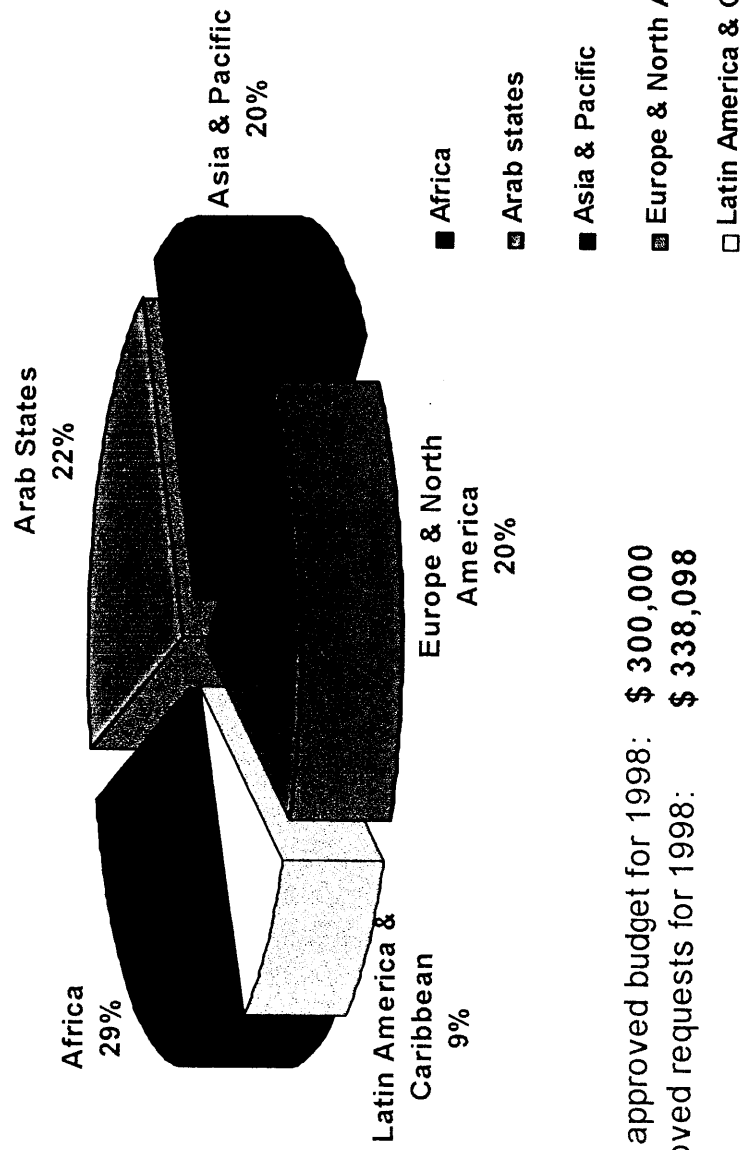
| Rec. No. | State party requesting               | Title of project  | Type | Appvd by    | Appvd date | Amount requested in \$ | Amount approved* in \$ | Amount implemented as of 13/11/98 in \$ | Balance available for implementation in \$ |
|----------|--------------------------------------|---|------|-------------|------------|------------------------|------------------------|---|--|
|          | <b>LATIN AMERICA &amp; CARIBBEAN</b> |   |      |             |            |                        |                        |   |  |
| 81       | Brazil                               | Historic Town of Ouro Preto   | C    | Chairperson | 9/1/98     | 50 000                 | 50 000                 | 43 500                                  | 6 500                                      |
| 82       | Colombia                             | Santa Cruz de Mompox  | C    | Chairperson | 21/5/98    | 50 000                 | 50 000                 | 50 000                                  | 0  |
| 83       | Honduras                             | Replacement of a protective canopy of the Hieroglyphic Stairway at the Maya site of Copan | C    | Chairperson | 3/3/98     | 5 000                  | 5 000                  | 5 000                                   | 0  |
| 18       | Peru                                 | Chavin Archaeological Site  | C    | Chairperson | 3/3/98     | 37 250                 | 37 250                 | 37 250                                  | 0  |
|          | Dominican Rep.                       | Colonial City of Santo Domingo  | C    | Chairperson | 3/11/98    | 50 000                 | 50 000                 | 0                                       | 50 000                                     |
|          |                                      | <b>Sub-total Latin America &amp; the Caribbean</b>  |      |             |            | <b>192 250</b>         | <b>192 250</b>         | <b>135 750</b>                          | <b>56 500</b>                              |
|          | <b>GLOBAL</b>                        |   |      |             |            |                        |                        |   |  |
| 84       | ICOMOS                               | Request for supplementary emergency assistance  | C    | Chairperson | 28/4/98    | 6 000                  | 6 000                  | 6 000                                   | 0  |
|          |                                      | <b>Sub-total Global</b>   |      |             |            | <b>6 000</b>           | <b>6 000</b>           | <b>6 000</b>                            | <b>0</b>                                   |
|          |                                      | <b>Grand Total Emergency Assistance</b>   |      |             |            | <b>697 370</b>         | <b>583 250</b>         | <b>323 399</b>                          | <b>259 851</b>                             |

# INTERNATIONAL ASSISTANCE TOTAL BUDGET COMPARED TO APPROVED REQUESTS



# PREPARATORY ASSISTANCE

## PREPARATORY ASSISTANCE IN 1998 BY REGIONS



Total approved budget for 1998: \$ 300,000

Approved requests for 1998: \$ 338,098

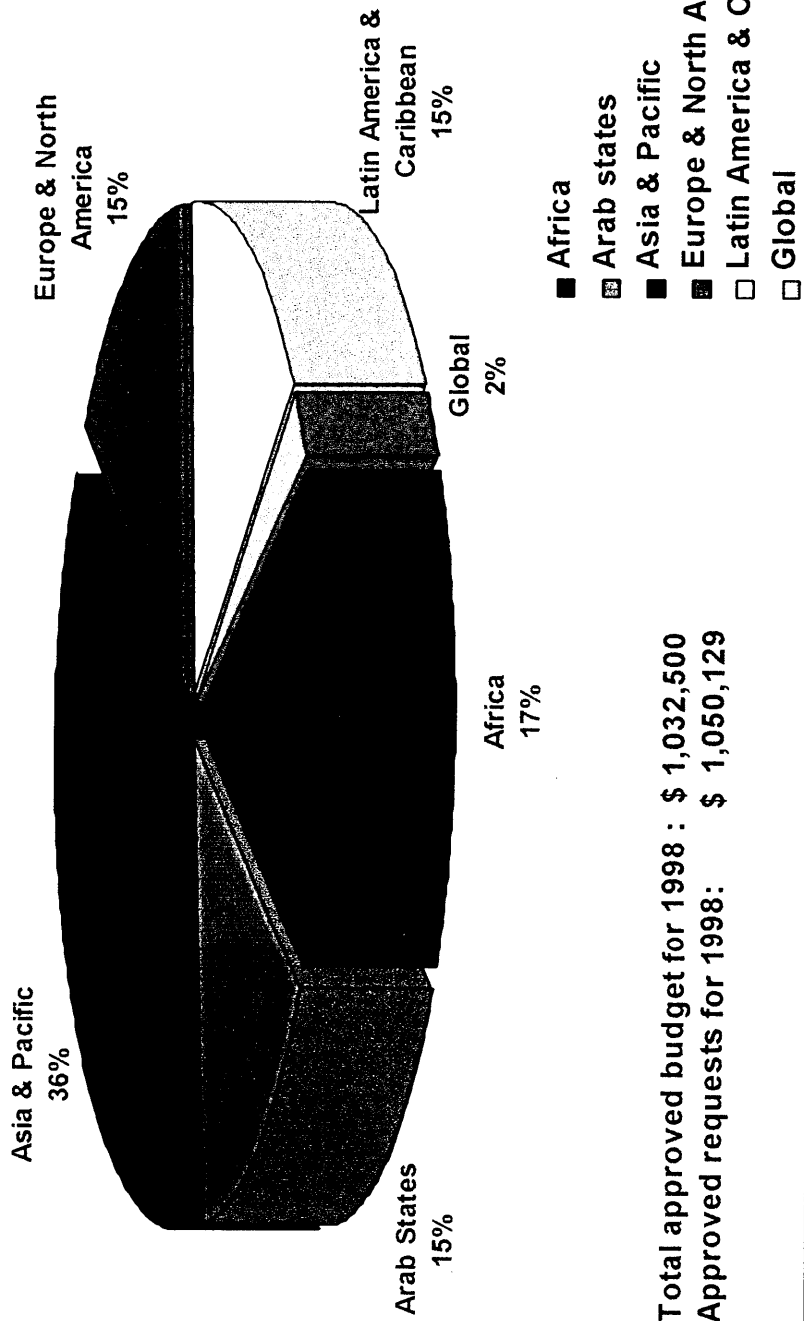
# PREPARATORY ASSISTANCE

|                           |         |         |
|---------------------------|---------|---------|
| Africa                    | 96 900  | 32,30%  |
| Arab States               | 74 900  | 24,97%  |
| Asia & Pacific            | 68 566  | 22,86%  |
| Europe & North America    | 66 465  | 22,16%  |
| Latin America & Caribbean | 31 267  | 10,42%  |
| Approved requests         | 338 098 | 112,70% |
| Total budget              | 300 000 | 100,00% |
| Balance                   | -38 098 |         |



# TECHNICAL COOPERATION

## TECHNICAL COOPERATION IN 1998 BY REGIONS



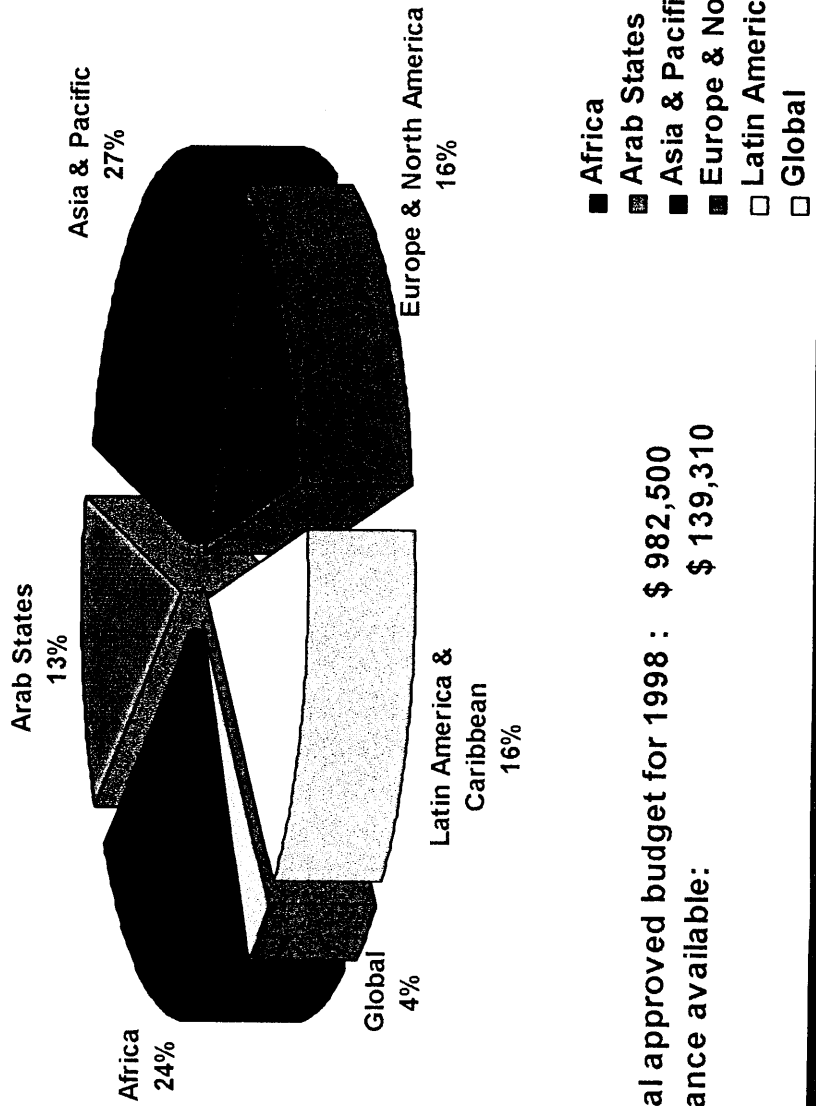
Total approved budget for 1998 : \$ 1,032,500  
Approved requests for 1998: \$ 1,050,129

# TECHNICAL COOPERATION

|                           |           |         |
|---------------------------|-----------|---------|
| Africa                    | 176 740   | 17,1%   |
| Arab States               | 160 000   | 15,5%   |
| Asia & Pacific            | 373 252   | 36,2%   |
| Europe & North America    | 156 737   | 15,2%   |
| Latin America & Caribbean | 158 900   | 15,4%   |
| Global                    | 25 000    | 2,4%    |
| Approved requests         | 1 050 629 | 101,80% |
| Total budget              | 1 032 500 | 100,0%  |
| Balance                   | -18 129   | -1,8%   |

# TRAINING

## TRAINING SUPPORT IN 1998 BY REGIONS



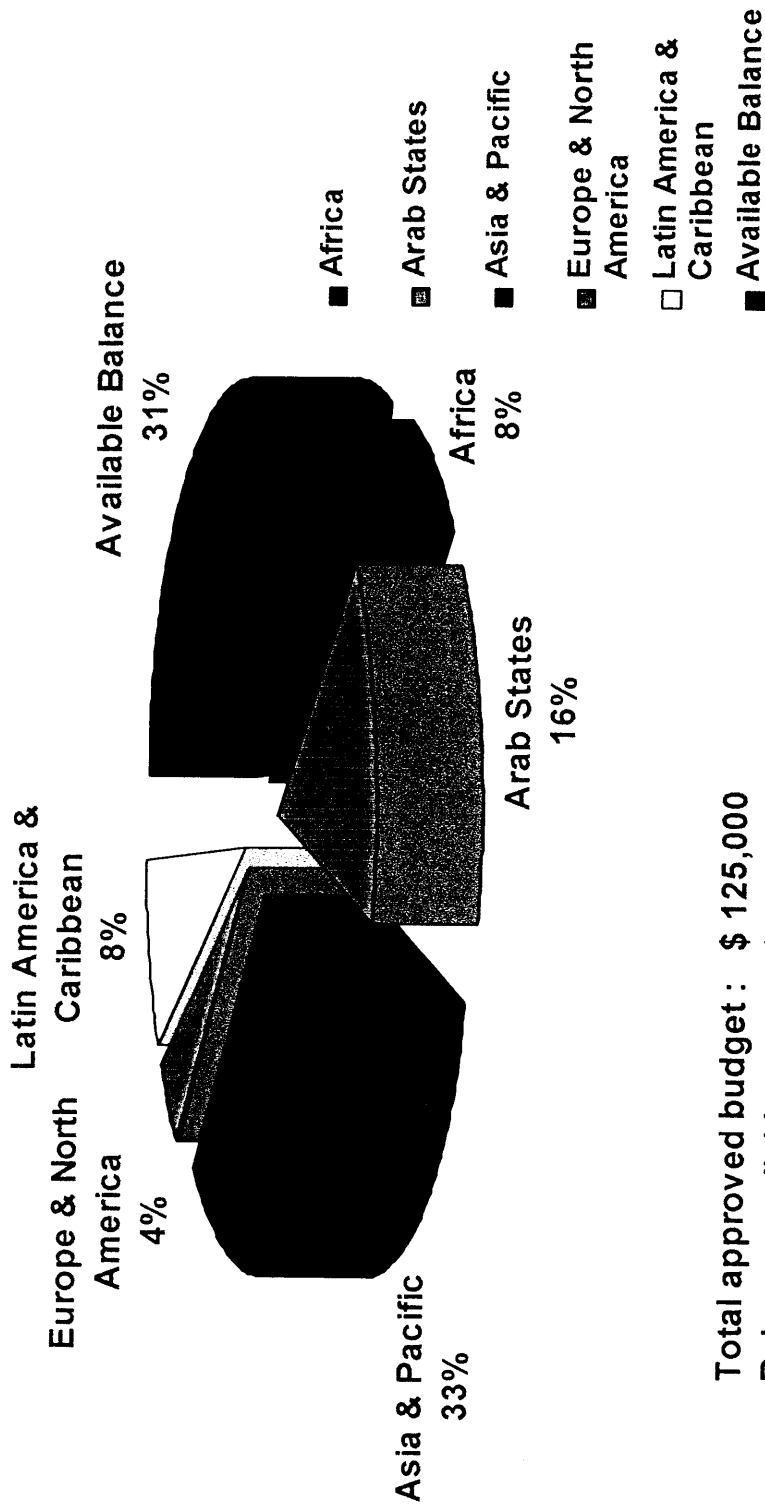
Total approved budget for 1998 : \$ 982,500  
Balance available: \$ 139,310

# TRAINING

|                           |         |         |
|---------------------------|---------|---------|
| Africa                    | 204 400 | 20,80%  |
| Arab States               | 109 990 | 11,19%  |
| Asia & Pacific            | 227 000 | 23,10%  |
| Europe & North America    | 138 200 | 14,07%  |
| Latin America & Caribbean | 131 200 | 13,35%  |
| Global                    | 32 400  | 3,30%   |
| Approved requests         | 843 190 | 85,82%  |
| Total budget              | 982 500 | 100,00% |
| Available Balance         | 139 310 | 14,18%  |

# PROMOTIONAL ACTIVITIES

## PROMOTIONAL ACTIVITIES ON-SITE IN 1998 BY REGIONS



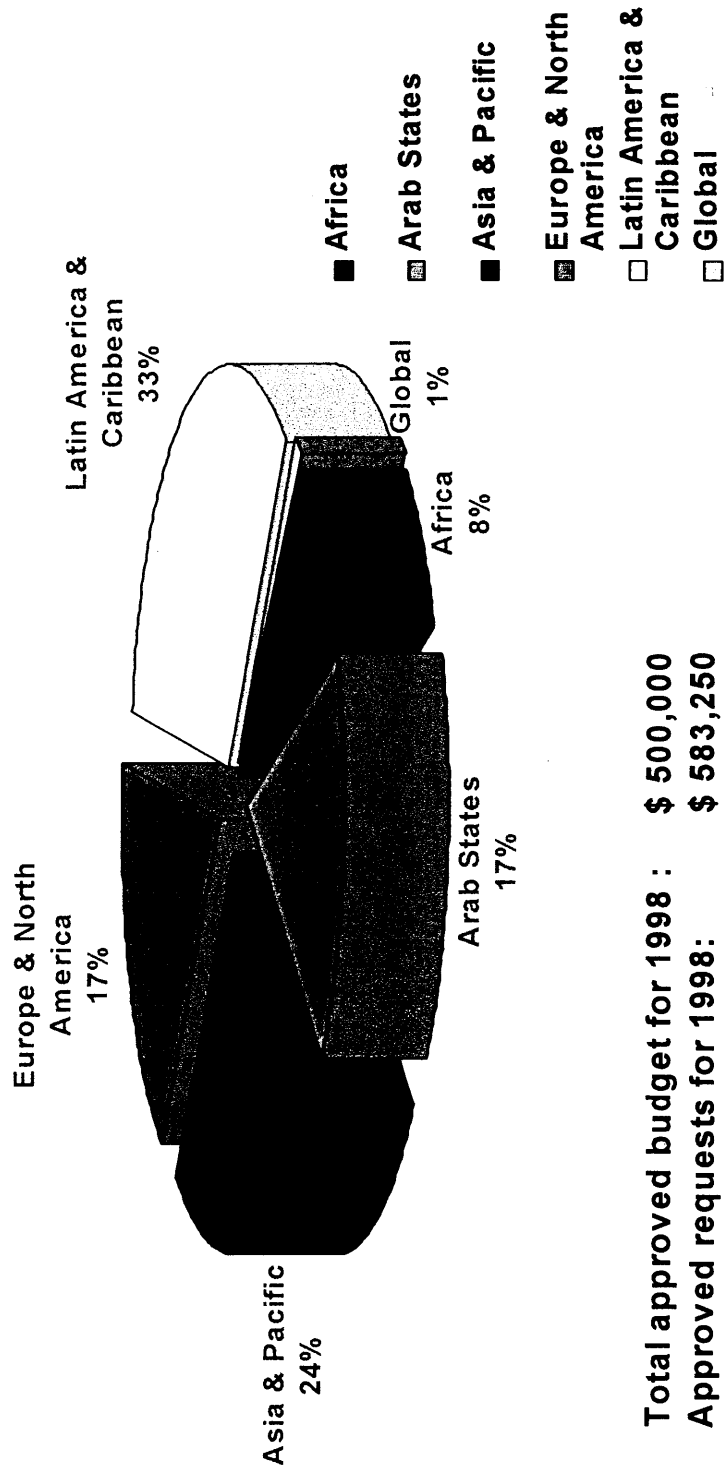
Total approved budget : \$ 125,000  
Balance available: \$ 39,000

# ON-SITE PROMOTION ACTIVITIES

|                           |         |         |
|---------------------------|---------|---------|
| Africa                    | 10,000  | 8.00%   |
| Arab States               | 20,000  | 16.00%  |
| Asia & Pacific            | 41,000  | 32.80%  |
| Europe & North America    | 5,000   | 4.00%   |
| Latin America & Caribbean | 10,000  | 8.00%   |
| Approved requests         | 86,000  | 68.80%  |
| Total budget              | 125,000 | 100.00% |
| Available Balance         | 39,000  | 31.20%  |

# EMERGENCY RESERVE FUND

## EMERGENCY RESERVE FUND IN 1998 BY REGIONS



Total approved budget for 1998 : \$ 500,000  
Approved requests for 1998 : \$ 583,250

# EMERGENCY RESERVE FUND

|                           |         |         |
|---------------------------|---------|---------|
| Africa                    | 45 000  | 9,00%   |
| Arab States               | 100 000 | 20,00%  |
| Asia & Pacific            | 140 000 | 28,00%  |
| Europe & North America    | 100 000 | 20,00%  |
| Latin America & Caribbean | 192 250 | 38,45%  |
| Global                    | 6 000   | 1,20%   |
| Total budget              | 500 000 | 100,00% |
| Approved requests         | 583 250 | 116,65% |
| Balance                   | -83 250 | -16,65% |